

Size:

1/2" - 12"

End Connections:

Flange-150#-300#-600#

Valve Materials:

WCB, WC6, WCC
CF8, CF8M, CF3, CF3M

Disc and Cap:

410, 304, 316

Seat Materials

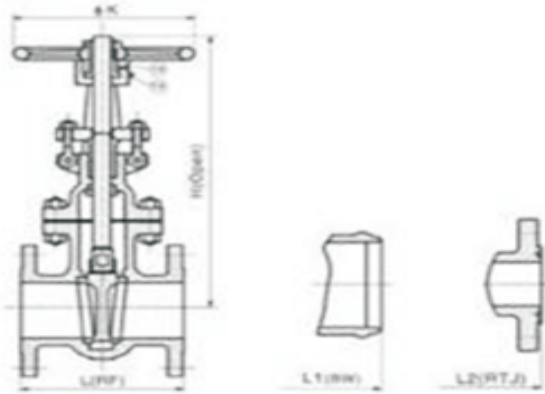
Metal

Options:

Soft Seat

Service Applications:

Hydraulic
Steam
Oxygen
Vacuum
Thermal Fluids
Chemical
Oil/ Gas
Food Processing
Dry/ Liquid Chlorine



Features

- Bolted Bonnet
- Metal Seat



Standards compliance.
 Face to face dimensions: ANSI B 16.10
 End fange dimensions: ANSI B 16.5
 Shell wall thickness: ANSI B 16.34

Class			2	2.5	3	4	6	8	10	12	14	16	18	20	24
150	Size	inch	2	2.5	3	4	6	8	10	12	14	16	18	20	24
	L-RF	mm	178	191	203	229	267	292	330	356	381	406	432	457	508
	L1-BW	mm	216	241	283	305	403	419	457	502	572	610	660	711	813
	L2-RIJ	mm	191	203	216	241	279	305	343	368	394	419	445	470	521
	H	mm	400	490	510	585	795	1015	1230	1465	1755	2030	2210	2510	2880
	K	mm	200	200	250	300	350	350	400	450	500	500	600	750	750
300	Size	inch	2	2.5	3	4	6	8	10	12	14	16	18	20	24
	L-RF	mm	216	241	283	305	403	419	457	502	762	838	914	991	1143
	L2-RIJ	mm	232	257	298	321	419	435	473	518	778	854	930	1010	1165
	H	mm	470	525	533	610	845	1050	1295	1600	1830	2035	2195	2470	2900
	K	mm	200	200	250	300	350	350	400	450	500	500	600	750	750
600	Size	inch	2	2.5	3	4	6	8	10	12	14	16	18	20	24
	L-RF	mm	292	330	356	432	559	660	787	838	889	1092	1194	1397	
	L2-RIJ	mm	295	333	359	435	562	664	791	841	892	994	1095	1200	1407
	H	mm	495	550	615	735	1005	1245	1480	1730	1915	2050	2260	2620	2900
	K	mm	200	250	300	350	450	500	600	750	850	850	960	960	1000

42. Shreeji Industrial Estate Raipur mill Compound .Saraspur.Ahmedabad-Gujarat-INDIA Web-site: www.darshanvalve.com
 e mail: info@darshanvalve.com / darshanvalve@gmail.com